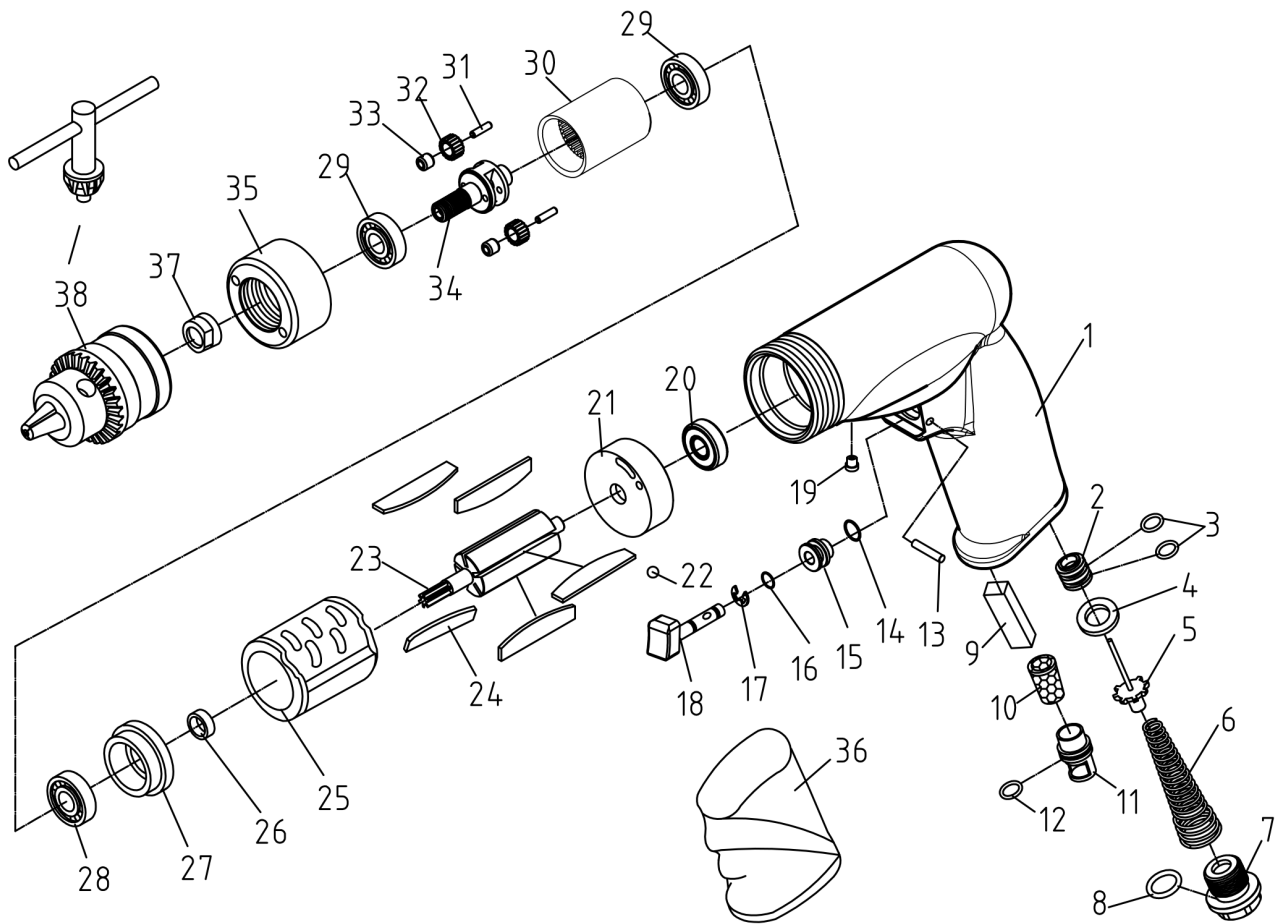


714P-3100 1/4" PISTOL AIR DRILL

EXPLODED VIEW



PARTS LIST — FOR REFERENCE ONLY

Index Number	Part Number	Description	Qty.	Index Number	Part Number	Description	Qty.	Index Number	Part Number	Description	Qty.
1	RL44101P	Housing	1	14	RL41715	O-Ring	1	27	RL44127A	Front End Plate	1
2	RL41702	Bushing	1	15	RL41716	Valve Bushing	1	28	982-045-0	Boll Bearing (608)	1
3	RL401321	O-Ring	2	16	RL41717	O-Ring	1	29	982-100-0	Ball Bearing (6000)	2
4	RL12127	Throttle Seat	1	17	RL41718	Retaining Ring	1	30	RL44130D	Internal Gear	1
5	RL41704	Throttle Valve	1	18	RL41719	Trigger Button	1	31	RL42228	Pin	2
6	RL41705	Spring	1	19	RL41734	Grease Fitting	1	32	RL42227	Planet Gear	2
7	RL41706	Air Inlet	1	20	982-033-0	Ball Bearing (696)	1	33	RL42250	Needle Bearing	2
8	RL40125	O-Ring	1	21	RL44121A	Rear End Plate	1	34	RL44134D	Planet Gear Carrier	1
9	RL44109A	Felt	1	22	RL80421	Steel Ball	1	35	RL44138A	Clamp Nut	1
10	RL41742	Silencer	1	23	RL44123D	Rotor	1	36	RL41741C	Comfort Grip	1
11	RL41708	Muffler	1	24	RL80519J	Rotor Blade	5	37	RL44140A	Space Collar	1
12	RL41709	O-Ring	1	25	RL42219	Cylinder	1	38	1B	Jacobs 1/4" Drill Chuck w/Key	1
13	RL41712	Pin	1	26	RL80523	Spindle Collar	1				

FOOTNOTES

EAGLE GROUP
A Division of AIMCO

10000 SE PINE
PORTLAND, OR 97216
503-254-6600
FAX 503-255-2615

When ordering spare parts, please specify tool type, part number, and description

REVISED 01/16